

Table of Contents

Hazardous Locations Luminaires

	Pages
A SERIES	3 - 10
B SERIES	11 - 16
C SERIES	17 - 22
D SERIES	23 - 27
E SERIES	28 - 23
H SERIES	33 - 36



Explosion Proof Light A Series



Industrial Field & Hazardous Locations

Applications

Oil and Gas industry

- All petroleum production and refining
- Petroleum loading and transportation
- Petroleum storage and retail
- LNG industry

- All mining operations and service

Chemical industry

- All types of paint facilities
- Chemical production and storage

Ocean, marine and aerospace field

- Ocean platform operation facilities and structure
- Aerospace clean room and production
- Ocean vessel operations

Metal treatment

- Steel and aluminum factories
- Pumping stations in any environment
- Metal smelting, foundry and fabrication

Food and alcohol industry

- Flour and fine particle production and storage
- Food and distilling production
- Alcohol industry

Other high humidity, high dust, high temperature, vapor locations





A2



A



A3



A4



Explosion Protection

Marking ATEX

II 3 G Ex ec IIC T3C Gc
 II 2 D Ex op is tb IIIC T160°C Db
 EX IIC EX mb eb IIC T3C GB
 II2 EX op is tb IIC T3C DB

Marking IECEx

Ex ec IIB T3C Gc
 Ex op is tb IIIC T160°C Db
 EX mb eb IIC T3C Gb
 EX op is tb IIC T3C Db

Marking UI844 (North American)

Class I, Division 2, Groups A, B, C, D
 Class II, Division 1, Groups E, F, G
 Class II, Division 2, Groups F, G
 Class III

Marine Marking

UL 1598A
 ABS

Other Rating IP 66

Materials

- Housing: Aluminum
- Lens: Tempered glass

- Hardware: stainless steel
- Mounting Bracket: stainless steel

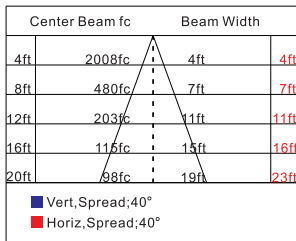
Features

- Working Temperature: -40°C ~ +55°C.
- High quality SMT LED and Meanwell Driver.
- Light-weight design by aircraft aluminum.
- Heavy-duty and high impact resistance.
- Three connection cable entry points.
- Replaceable LED board and drivers.
- Integrated junction box for driver with emergency back up.
- Dimmable and battery back up function available.
- Marine rating powder coated appearance treatment.
- 10 Year or 50,000 hour - Non-Prorated Product Warranty
- Emergency Battery back up to three hours.
- Various installation ways for different applications.
- Glass lens or Glass with polycarbonate lens to make bigger beam angle.

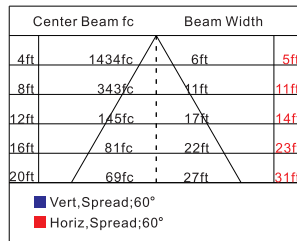


Light Distribution

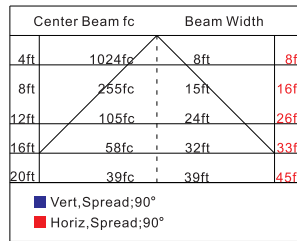
200W/40D



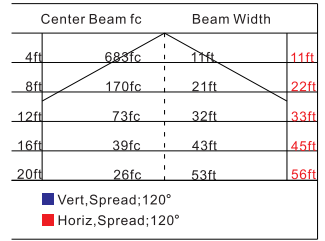
200W/60D



200W/90D



200W/120D



Specification

Model	Wattage	Color Temperature	Voltage	Lumens	Warranty	CRI
ECO-EX-20W A2YZDA	20W	2200K-7000K	AC100-277V(by driver or by IC) Or DC12-48V	2800	10 Year or 50,000 hour Non-Prorated Product Warranty	80
ECO-EX-40W A2YZDA	40W			5600		
ECO-EX-60W A2YZDA	60W			8400		
ECO-EX-80W AYZDA	80W			11200		
ECO-EX-100W AYZDA	100W		AC100-277V(by driver or by IC) Or DC12-48V Or AC200-488V(<100W)	14000		
ECO-EX-150W A3YZDA	150W			21000		
ECO-EX-180W A3YZDA	180W		25200			
ECO-EX-200W A3YZDA	200W		28000			
ECO-EX-150W A4YZDA	150W		AC100-277V(by driver or by IC) Or DC12-48V Or AC200-488V	21000		
ECO-EX-180W A4YZDA	180W			25200		
ECO-EX-200W A4YZDA	200W			28000		
ECO-EX-250W A4YZDA	250W			35000		
ECO-EX-300W A4YZDA	300W			42000		

“A, A2, A3, A4”=Product code. “Y”=D or N:Dimmable or non-dimmable “Z”=CCT, from 2200-7000K.
 “D”=Beam angle, D40 for 40°, D60 for 60°, D90 for 90°, D120 for 120°.

Packing Information

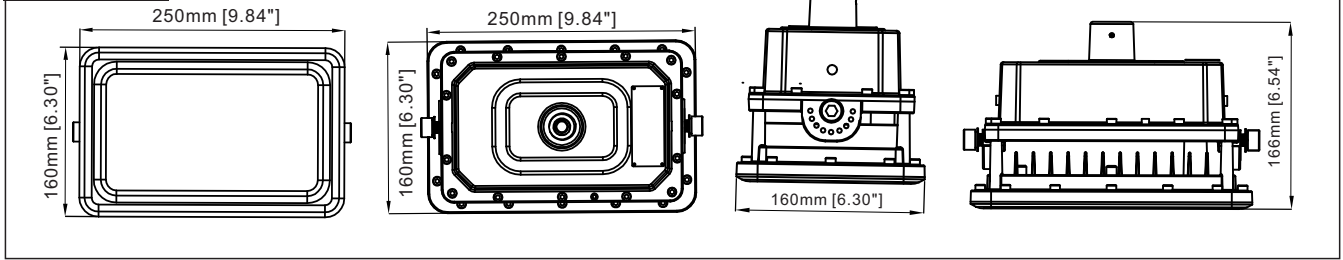
Model	Quantity/Carton	Length(cm)	Width(cm)	Height(cm)	Net weight(kg)	Gross weight(kg)
A	1	37.5	34	21.5	6.95	7.9
A2	1	36.5	27	30.5	4.15	5.3
A3	1	48.5	34	36.5	8.3	10.3
A4	1	35	47	40	15.1	17

Dimension

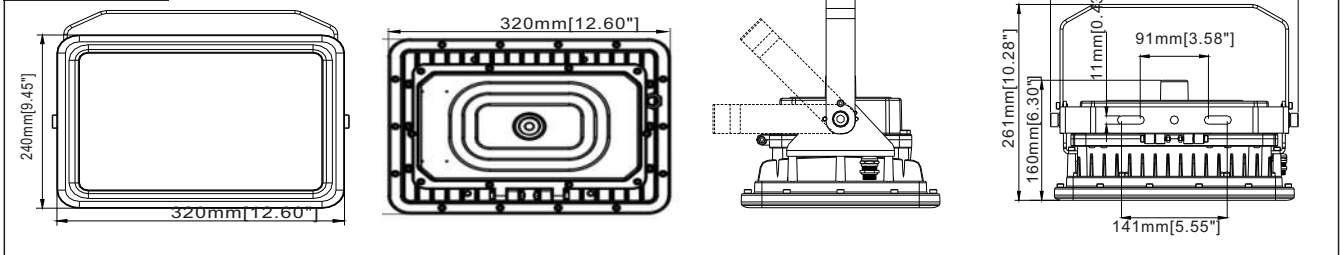
These structure type with bracket, flat glass and optics lens generates 40°, 60°, 90° and 120° light distribution.

Unit: mm or inch

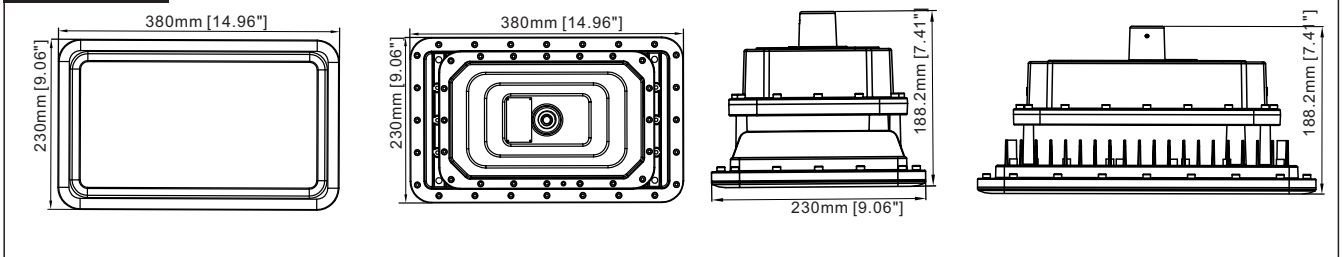
A2 Series



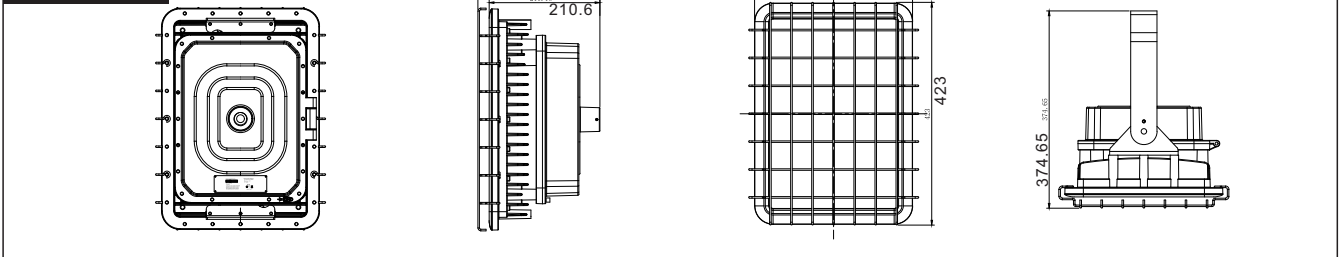
A Series



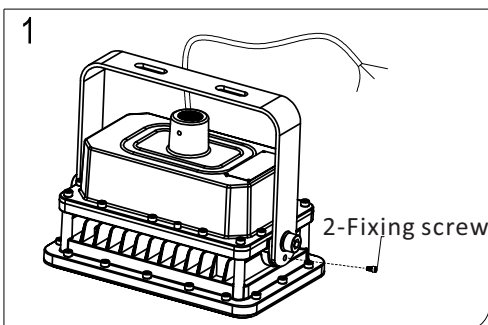
A3 Series



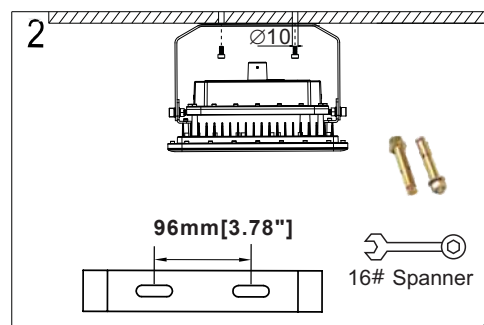
A4 Series



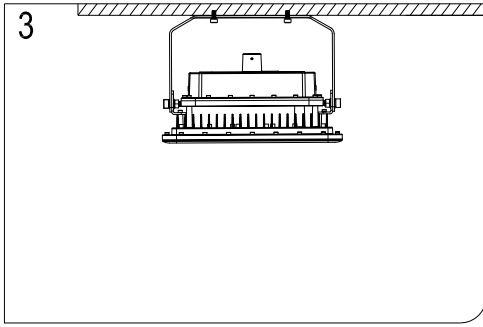
Ceiling Mounting



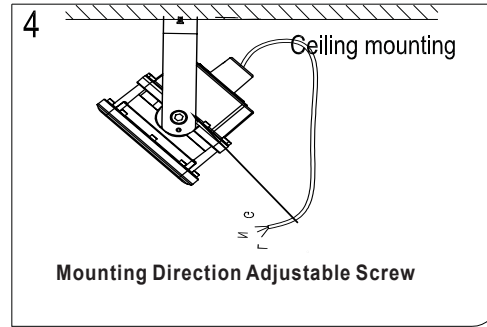
2. Install and tighten flexible metal conduit with the fixture.



3. Drill 2x hole as shown in Fig.2, the distance can be 91~140mm, fixing $\varnothing 10$ expanded crews and bracket on ceiling.

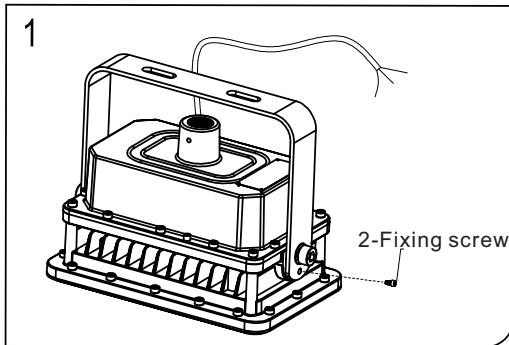


4. Connect black cable to L, connect white cable to N, connect green cable to grounding.

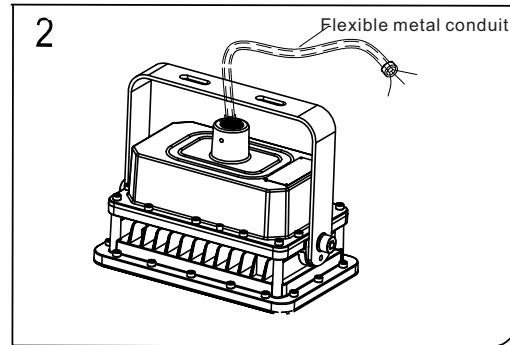


5. Adjust the beam angle from 0-180°.

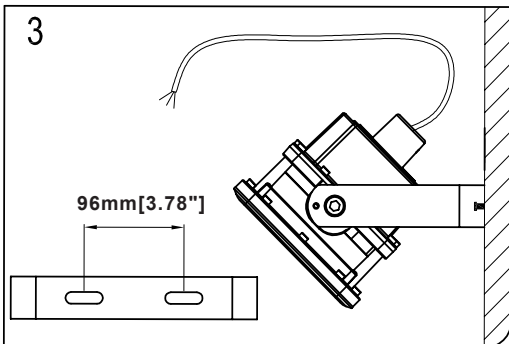
Wall Mounting



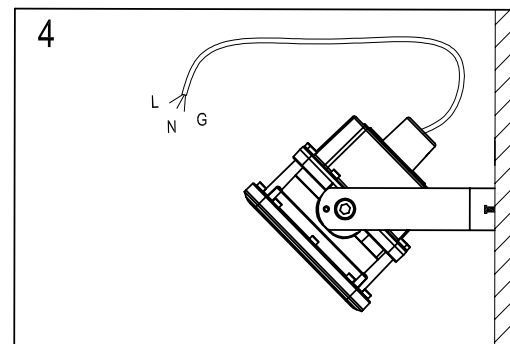
1. Take the fixture and accessory out from carton box, tighten 2x angle holder screw as Fig.1.



2. Install and tighten flexible metal conduit with the fixture.

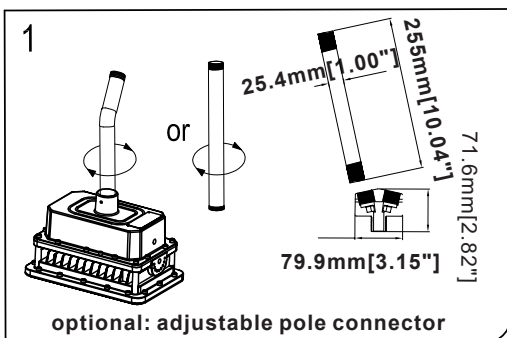


3. Drill 2x hole as Shown in Fig.2, the distance can be 91~140mm, fixing $\varnothing 10$ expansion screws and bracket on ceiling.

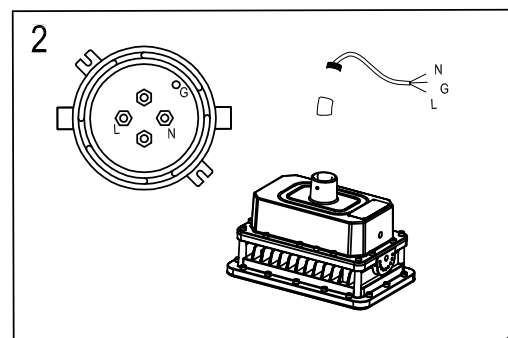


4. Connect black cable to L, Connect White cable to N, Connect green cable to grounding.

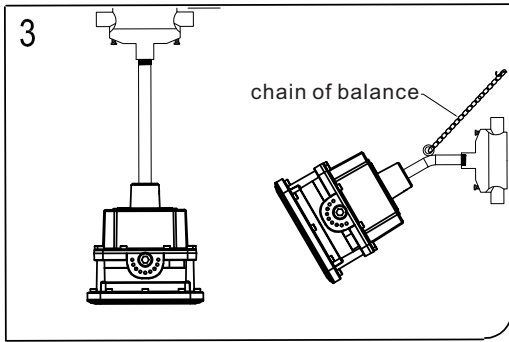
Pole Mounting



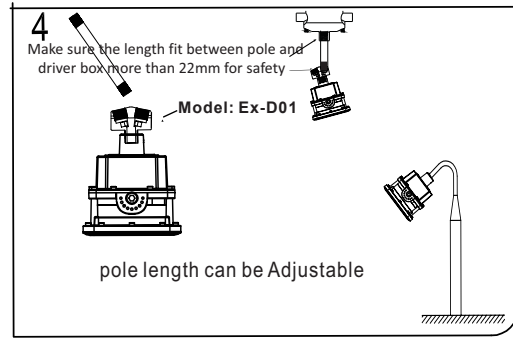
1. Take the fixture and pole accessory out from carton box, tighten pole as shown in Fig.1.



2. Connect black cable to L, Connect White cable to N, Connect green cable to grounding.

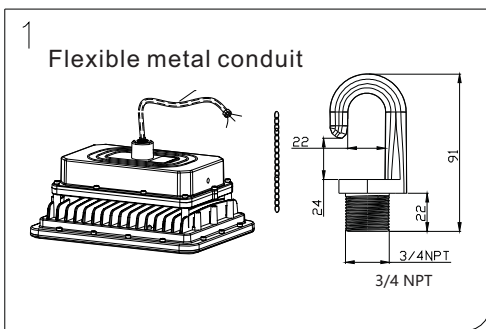


3. Drill 4x $\varnothing 10\text{mm}$ holes, as 100mm distance, install the junction box to the wall or ceiling as shown in Fig.3, tighten the pole to the box, and adjust the chain of balance.

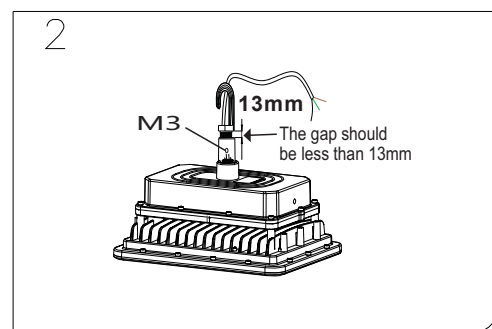


4. Adjustable pole installation. With this adjustable kit, you can Make any light distribution direct as you want. Optional: Install the fixture to the long pole after cable connecting cable.

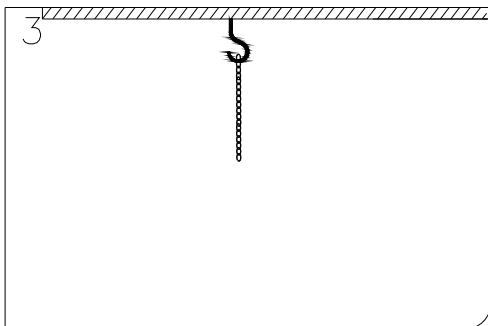
Hook Pendant



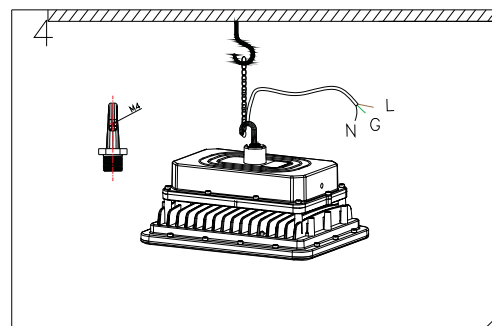
1. Take the fixture and accessory out from carton box, tighten 2x angle holder screw as shown in Fig.1.



2. Tighten the hook with the fixture, at least 6x teeth need to be tighten, fix the M3 screw to prevent the hook loosening .



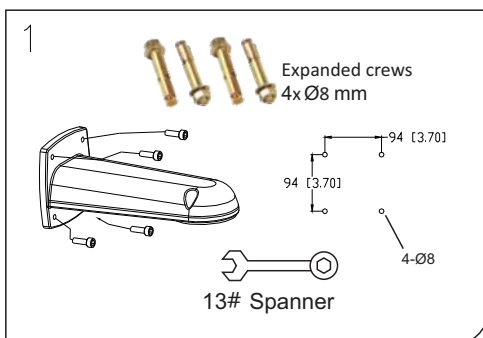
3. Drill 1 expansion screw hole and install it, and hang the chain as shown in Fig.3.



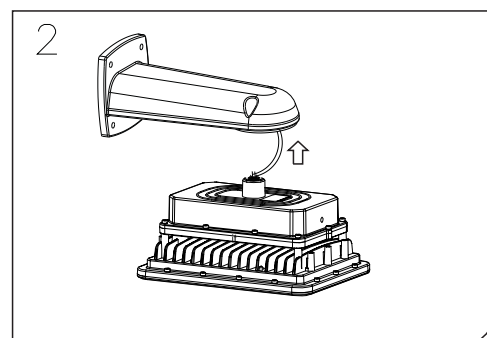
4. Hang the fixture to the hook as above, connect black cable to L, connect White cable to N, connect green cable to grounding.

Arm Mounting

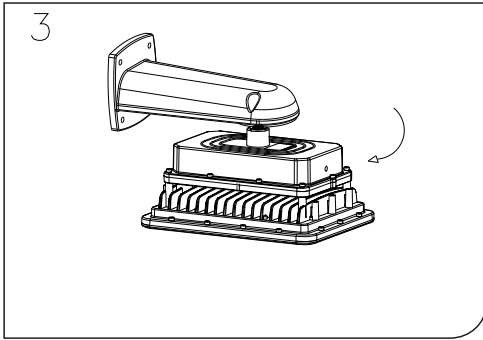
This installation method is only for Model A2 and Model A. It can not be applied on model A3 because model A3 too heavy. Only one electrician is required for this installation.



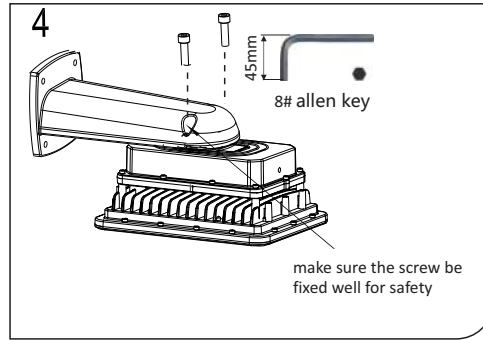
1. Drill 4x holes as above distance, and fix the arm on the wall, tighten 4x screws as shown in Fig.1.



2. Contact the power AC wire with lamp, put the terminal into the arm.



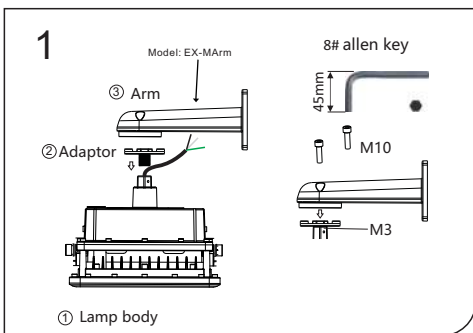
3. Match the circle part with arm, and rotate it to right.



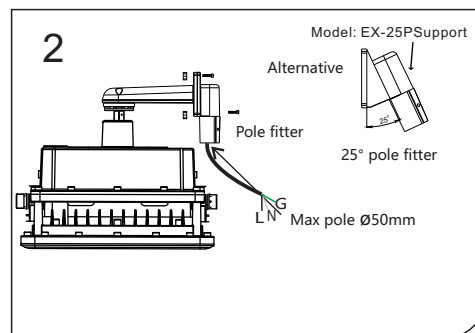
4. Tighten 2x screws to avoid the lamp loosed.

Stanchion Mounting

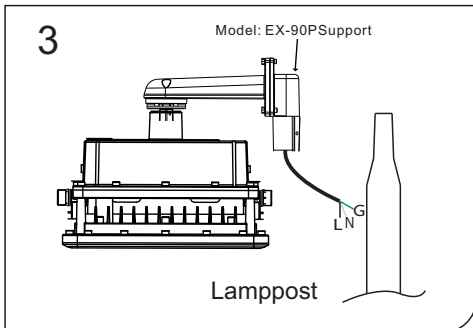
This installation method is only for Model A2 and Model A. It can not be applied on model A3 because model A3 too heavy. Only one electrician is required for this installation.



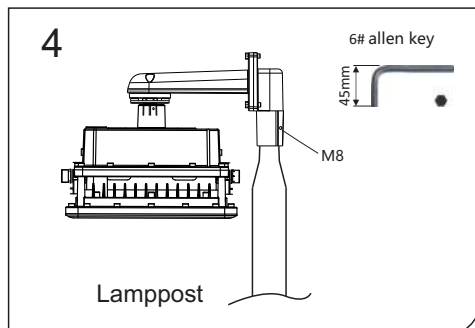
1. Tighten part 2 and assembly 1, and fix the M3 screw, install arm to the adaptor, tighten the M10 via 8# allen key.



2. Install the pole fitter with arm via 4x M8 screws, the max suitable pole diameter 50mm, the alternative 25 degree pole fitter.

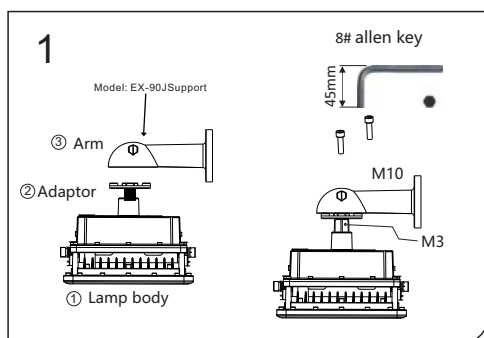


3. Contact the cable to AC wire, connect black cable to L, connect White cable to N, Connect green cable to grounding.

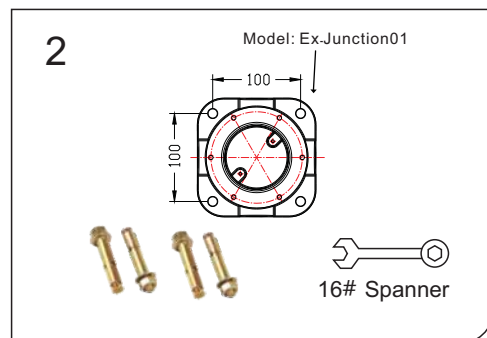


4. Slip the fitter to the lamppost and tighten M8 inner hexagonal screw.

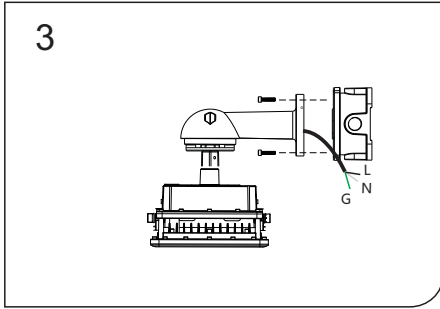
Wall Mounting to junction box



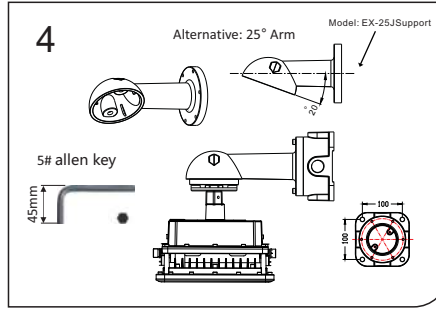
1. Tighten part 2 and assembly 1, and fix the M3 screw, install arm to the adaptor, tighten the M10 via 8# allen key.



2. Drill 4x Ø10mm holes Install the junction box to the wall via M10 expanded screw.



3. Contact the AC wire to power system, connect black cable to L, connect white cable to N, connect green cable to grounding.



4. Tighten 6 x screws between arm and junction box, turn

Accessories



● Model: Ex-Junction01
Name: Junction Box
Material: Aircraft Aluminum A383



● Model: EX-Hook
Name: Installation Hook
Material: Aircraft Aluminum A383



● Model: Ex-Conduit01
Name: Metal Conduit
Material: Stainless Steel and Aluminum



● Model: EX-WPipe
Name: Winding Swing Pipe
Material: Iron with Power Coating



● Model: EX-SPipe
Name: Winding Swing Pipe
Material: Iron with Power Coating



● Model: Ex-D01
Name: Pendant Direction Adapter
Material: Aircraft Aluminum A383



● Model: EX-MArm
Name: Surface Mounting Arm
Material: Aircraft Aluminum A383



● Model: EX-25PSupport
Name: 25 Degree Pole Support
Material: Aircraft Aluminum A383



● Model: EX-90PSupport
Name: 90 Degree Pole Support
Material: Aircraft Aluminum A383



● Model: Ex-90JSupport
Name: 90° Arm to Junction box
Material: Aircraft Aluminum A383



● Model: Ex-25JSupport
Name: 25° Arm to Junction box
Material: Aircraft Aluminum A383



● Model: Ex-DArm
Name: Direct Mounting Arm
Material: Aircraft Aluminum A383





Explosion Proof Light B Series



Industrial Field & Hazardous Locations

Applications

Oil and Gas industry

- All petroleum production and refining
- Petroleum loading and transportation
- Petroleum storage and retail
- LNG industry

- All mining operations and service

Chemical industry

- All types of paint facilities
- Chemical production and storage

Ocean, marine and aerospace field

- Ocean platform operation facilities and structure
- Aerospace clean room and production
- Ocean vessel operations

Metal treatment

- Steel and aluminum factories
- Pumping stations in any environment
- Metal smelting, foundry and fabrication

Food and alcohol industry

- Flour and fine particle production and storage
- Food and distilling production
- Alcohol industry

Other high humidity, high dust, high temperature, vapor locations





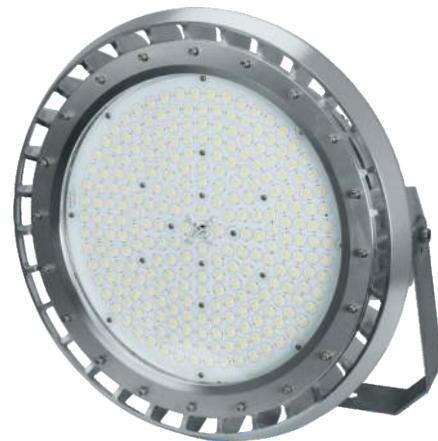
B2



B



B3



B4



Explosion Protection

Marking Atex

II2 G Ex mb eb IIC T4 Gb
II2 D Ex tb IIIC T135C Db IP66
II3 G Ex ec IIC T3C Gc
II2 D Ex tb IIIC T135C Db IP66

Marking IECEx

Ex mb eb IIC T4 Gb
Ex tb IIIC T135C Db IP66
Ex ec IIC T3C Gc
Ex tb IIIC T135C Db Ip66

Marking UL844 (North American)

Class I, Division 2, Groups A, B, C, D
Class II, Division 1, Groups E, F, G
Class II, Division 2, Groups F, G
Class III

Marine Marking

UL 1598A
ABS

Other Rating IP 66

Materials

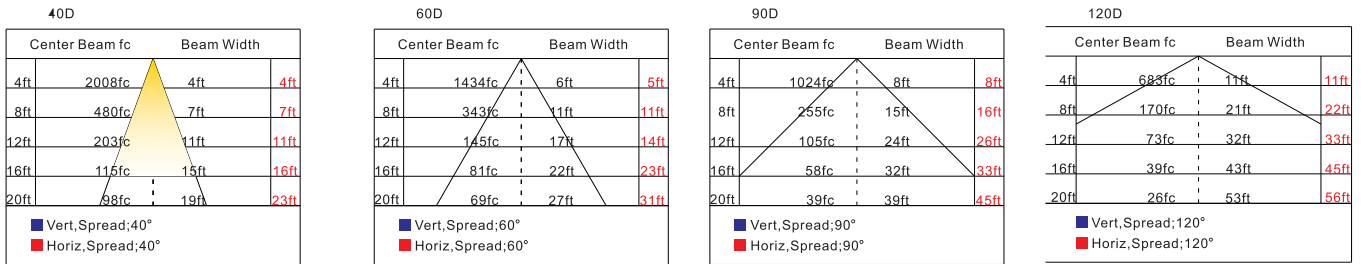
- Housing: Aluminum
- Lens: Tempered glass

- Hardware: stainless steel
- Mounting Bracket: stainless steel

Features

- Working Temperature: -40°C ~ +55°C.
- High quality SMT LED and Meanwell Driver.
- Light-weight design by aircraft aluminum.
- Heavy-duty and high impact resistance.
- Three connection cable entry points.
- Replaceable LED board and drivers.
- Integrated junction box for driver with emergency back up.
- Dimmable and battery back up function available.
- Marine rating powder coated appearance treatment.
- 10 Year or 50,000 hour - Non-Prorated Product Warranty.
- Emergency Battery back up to three hours.
- Various installation ways for different applications.
- Glass lens or Glass with polycarbonate lens to make bigger beam angle.

Light Distribution



Specification

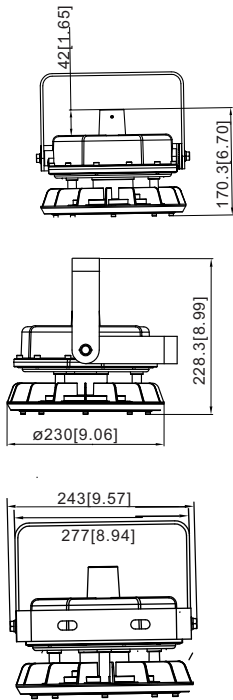
Product Number	Wattage	Color Temperature	Voltage	Lumens	Warranty	CRI
ECO-EX-20W B2YZDA	20	2200K-7000K	AC100-277V(by driver or by IC) Or DC12-48V	2800	10 Year or 50,000 hour - Non-Prorated Product Warranty	80
ECO-EX-40W B2YZDA	40			5600		
ECO-EX-60W BYZDA	60		AC100-277V(by driver or by IC) Or DC12-48V	8400		
ECO-EX-80W BYZDA	80			11200		
ECO-EX-100W B3YZDA	100		AC100-277V(by driver or by IC) Or DC12-48V Or AC200-488V	14000		
ECO-EX-120W B3YZDA	120			16800		
ECO-EX-150W B3YZDA	150			21000		
ECO-EX-200W B3YZDA	200			28000		
ECO-EX-250W B4YZDA	250			35000		
ECO-EX-300W B4YZDA	300			42000		
ECO-EX-350W B4YZDA	350			49000		
ECO-EX-400W B4YZDA	400			56000		

Packing Information

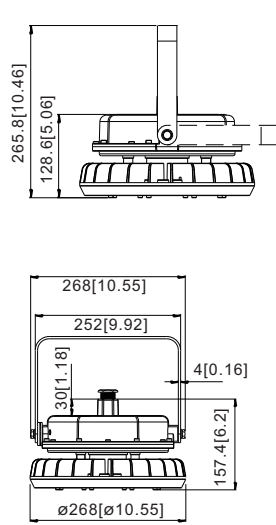
Model	Quantity/Carton	Length(cm)	Width(cm)	Height(cm)	Net weight(kg)	Gross weight(kg)
B	1	38.6	33	22	4.4	5.5
B2	1	36	35.4	26	3.5	5
B3	1	48	46	26.5	8.2	10.5
B4	1	53	53	44	18.8	21.5

Dimension

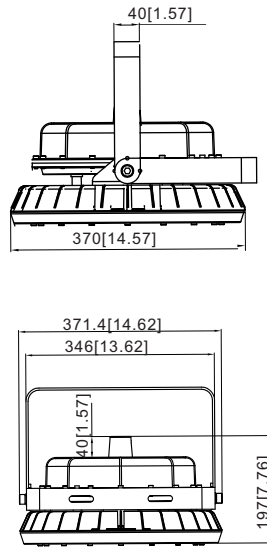
Model B2



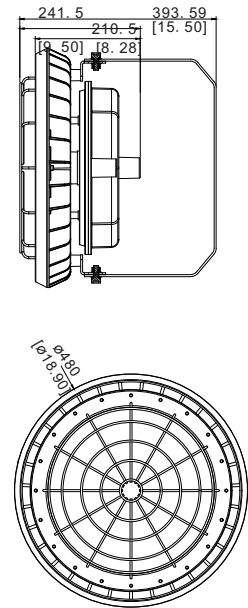
Model B



Model B3

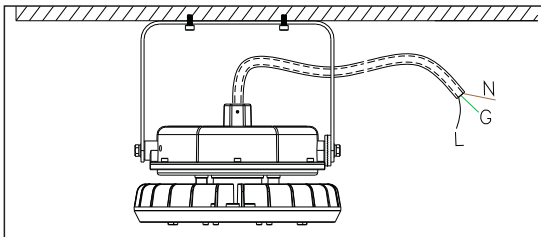


Model B4

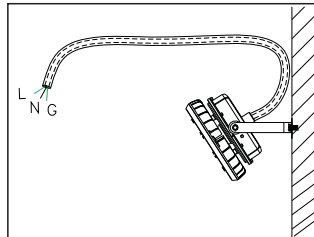


Mounting

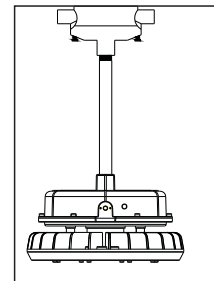
No.1: Ceiling Mounting



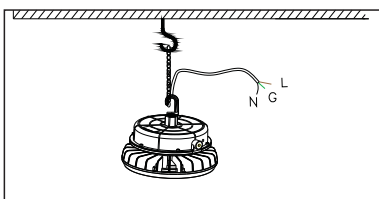
No.2: Wall Mounting



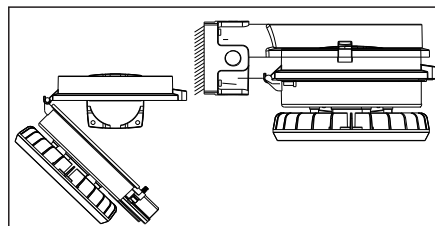
No.3: Pole Pendant



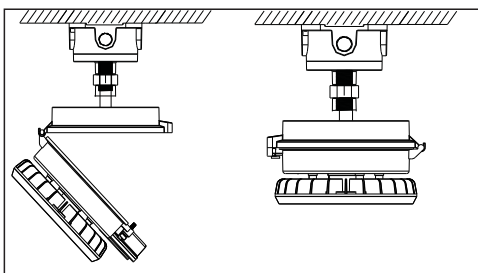
No.4: Hook Pendant



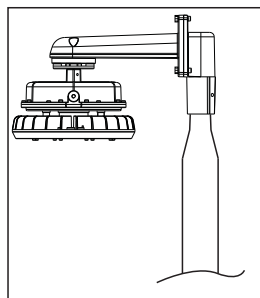
No.6: Arm Mounting by Opening Driver Box



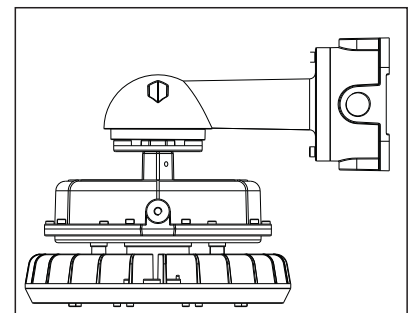
No.5: Ceiling Mounting by Opening Driver Box



No.7: Stanchion Mounting



No.8: Wall Mounting



Accessories



- Model: Ex-Junction01
Name: Junction Box
Material: Aircraft Aluminum A383



- Model: EX-Hook
Name: Installation Hook
Material: Aircraft Aluminum A383



- Model: Ex-Conduit01
Name: Metal Conduit
Material: Stainless Steel and Aluminum



- Model: EX-WPipe
Name: Winding Swing Pipe
Material: Iron with Power Coating



- Model: EX-SPipe
Name: Winding Swing Pipe
Material: Iron with Power Coating



- Model: Ex-D01
Name: Pendant Direction Adapter
Material: Aircraft Aluminum A383



- Model: EX-MArm
Name: Surface Mounting Arm
Material: Aircraft Aluminum A383



- Model: EX-25PSupport
Name: 25 Degree Pole Support
Material: Aircraft Aluminum A383



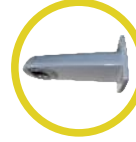
- Model: EX-90PSupport
Name: 90 Degree Pole Support
Material: Aircraft Aluminum A383



- Model: Ex-90JSupport
Name: 90° Arm to Junction box
Material: Aircraft Aluminum A383



- Model: Ex-25JSupport
Name: 25° Arm to Junction box
Material: Aircraft Aluminum A383



- Model: Ex-DArm
Name: Direct Mounting Arm
Material: Aircraft Aluminum A383



- Model: Ex-ShadeB/B2/B3
Name: Lamp Shade
Material: Aluminum A6061



- Model: Ex-CshadeB/B2/B3
Name: Cut off lamp shade
Material: Aluminum A6061



- Model: Ex-Chain
Name: Pendant Chain
Material: Stainless Steel S30400





Explosion Proof Light C Series



Industrial Field & Hazardous Locations

Applications

Oil and Gas industry

- All petroleum production and refining
- Petroleum loading and transportation
- Petroleum storage and retail
- LNG industry

- All mining operations and service

Chemical industry

- All types of paint facilities
- Chemical production and storage

Ocean, marine and aerospace field

- Ocean platform operation facilities and structure
- Aerospace clean room and production
- Ocean vessel operations

Metal treatment

- Steel and aluminum factories
- Pumping stations in any environment
- Metal smelting, foundry and fabrication

Food and alcohol industry

- Flour and fine particle production and storage
- Food and distilling production
- Alcohol industry

Other high humidity, high dust, high temperature, vapor locations



Explosion Protection

Marking Atex

II2 G Ex db op is IIB T5/T6 Gb

II2 D Ex op is tb IIIC T80/90C Db Ip66

Marking IECEX

Ex db op is IIB T5/T6 Gb

Ex op is tb IIIC T80/90C Db IP66

Marking UI844 (North American)

Class I, Division 1, Groups C, D

Class I, Division 2, Groups A, B, C, D

Class II, Division 1, Groups E, F, G

Class II, Division 2, Groups F, G

Class III

Marine Marking

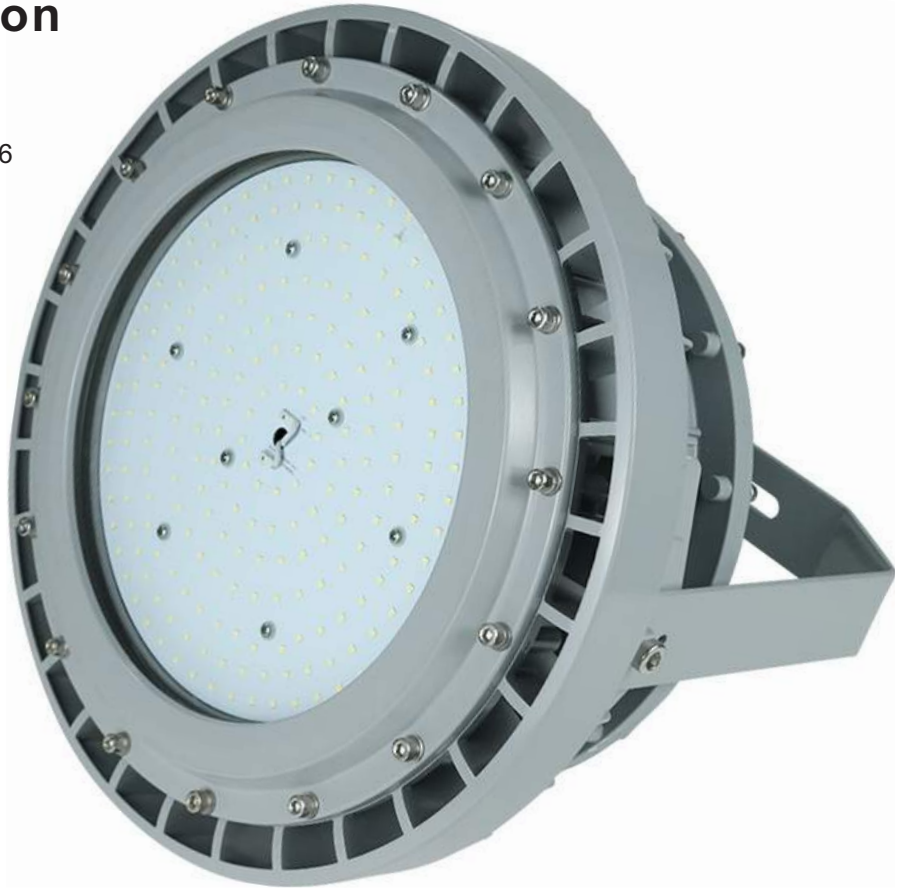
UL 1598A

ABS

Other Rating

IP 66

IK 10



Materials

- Housing: Aluminum
- Lens: Tempered glass

- Hardware: stainless steel
- Mounting Bracket: stainless steel

Specification

Model	Wattage	Color Temperature	Voltage	Lumens	Warranty	CRI
ECO-EX-20W C2YZDA	20W	2200K-7000K	AC100-277V Or AC200-488V Or DC12-48V	2800	10 Year or 50,000 hour Non-Prorated Product Warranty	80
ECO-EX-60W C2YZDA	60W			8400		
ECO-EX-80W C2YZDA	80W			11200		
ECO-EX-100W CYZDA	100W			14000		
ECO-EX-150W CYZDA	150W			21000		
ECO-EX-200W C3YZDA	200W			28000		
ECO-EX-250W C3YZDA	250W			35000		
ECO-EX-280W C3YZDA	280W			39200		

"C,C2,C3"=Product code, "Y"=D or N:Dimmable or non-dimmable "Z"=CCT, from 2200-7000K

"D"=Beam angle, D40 for 40°, D60 for 60°, D90 for 90°, D120 for 120°

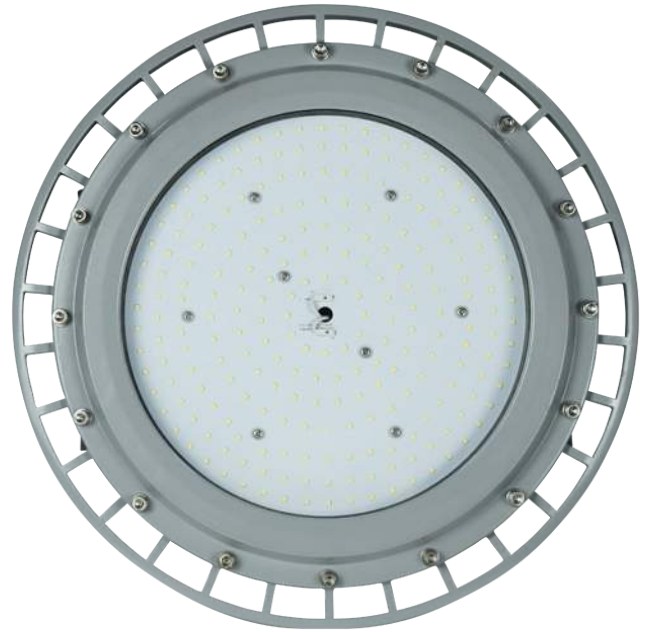
A for glass info. blank for flat glass, C for spherical glass.

Packing Information

Model	Quantity/Carton	Length(cm)	Width(cm)	Height(cm)	Net weight(kg)	Gross weight(kg)
C	1	55	52	36	17.4	19
C2	1	47	47	34.5	14	16
C3	1	55.5	55.5	34.5	21	25

Features

- Working Temperature: -40°C ~ +60°C.
IECEX: -40°C ~ +80°C.
- High quality SMT LED and Meanwell Driver.
- Light-weight design by aircraft aluminum.
- Heavy-duty and high impact resistance.
- Three connection cable entry points.
- Replaceable LED board and drivers.
- Integrated junction box for driver with emergency back up.
- Dimmable and battery back up function available.
- Marine rating powder coated appearance treatment.
- 10 Year or 50,000 hour - Non-Prorated Product Warranty
- Emergency Battery back up to three hours.
- Various installation ways for different applications.
- Glass lens or Glass with polycarbonate lens to make bigger beam angle.



Light Distribution

40D				60D				90D				120D			
Center Beam fc		Beam Width		Center Beam fc		Beam Width		Center Beam fc		Beam Width		Center Beam fc		Beam Width	
4ft	2008fc	4ft	4ft	4ft	1434fc	6ft	5ft	4ft	1024fc	8ft	8ft	4ft	683fc	11ft	11ft
8ft	480fc	7ft	7ft	8ft	343fc	11ft	11ft	8ft	255fc	15ft	16ft	8ft	170fc	21ft	22ft
12ft	203fc	11ft	11ft	12ft	145fc	17ft	14ft	12ft	105fc	24ft	26ft	12ft	73fc	32ft	33ft
16ft	115fc	15ft	16ft	16ft	81fc	22ft	23ft	16ft	58fc	32ft	33ft	16ft	39fc	43ft	45ft
20ft	98fc	19ft	23ft	20ft	69fc	27ft	31ft	20ft	39fc	39ft	45ft	20ft	26fc	53ft	56ft

■ Vert, Spread; 40°	■ Horiz, Spread; 40°
---------------------	----------------------

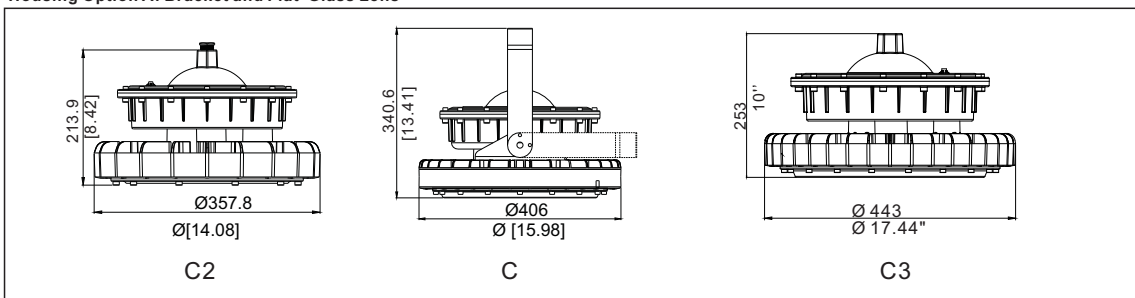
■ Vert, Spread; 60°	■ Horiz, Spread; 60°
---------------------	----------------------

■ Vert, Spread; 90°	■ Horiz, Spread; 90°
---------------------	----------------------

■ Vert, Spread; 120°	■ Horiz, Spread; 120°
----------------------	-----------------------

Dimension Unit: mm or inch

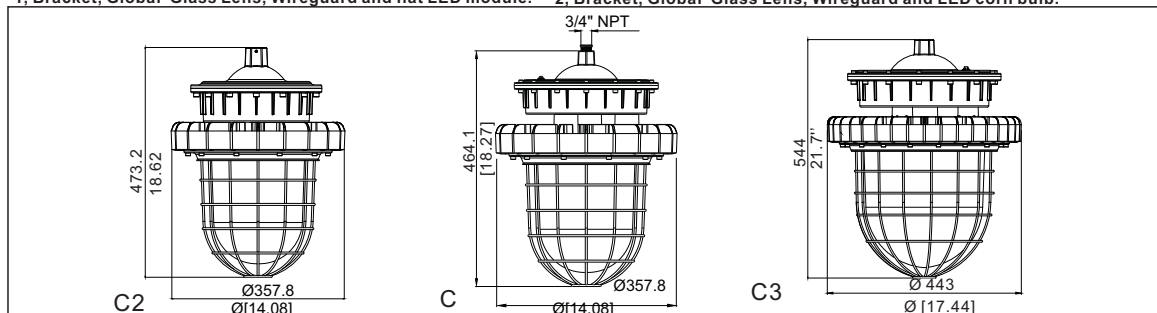
Housing Option A: Bracket and Flat Glass Lens



This structure type with bracket, flat glass and optics lens generates 40°, 60°, 90° and 120° light distribution.

Housing Option B:

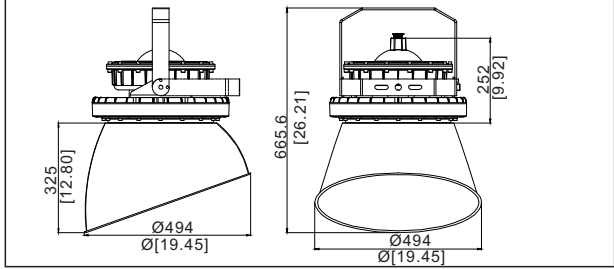
1, Bracket, Global Glass Lens, Wireguard and flat LED module. 2, Bracket, Global Glass Lens, Wireguard and LED corn bulb.



This structure type with bracket, global glass lens and wireguard generates 180° light distribution. We also can put corn bulb in the global glass lens to make this beam angle up to 360°.

Housing Option C

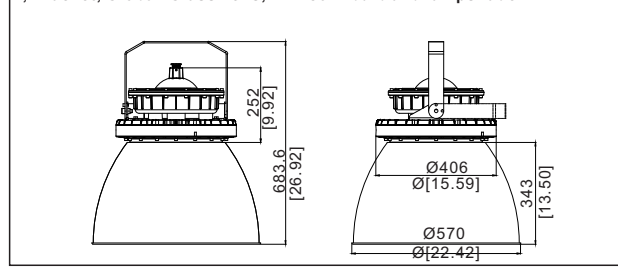
1, Bracket, Global Glass Lens, flat LED module and 30° cut off lampshade.



This structure can make the lighting distribution more concentrated for special beam angle.

Housing Option D

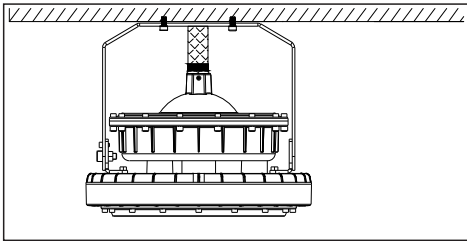
1, Bracket, Global Glass Lens, flat LED module and lampshade.
2, Bracket, Global Glass Lens, LED corn bulb and lampshade.



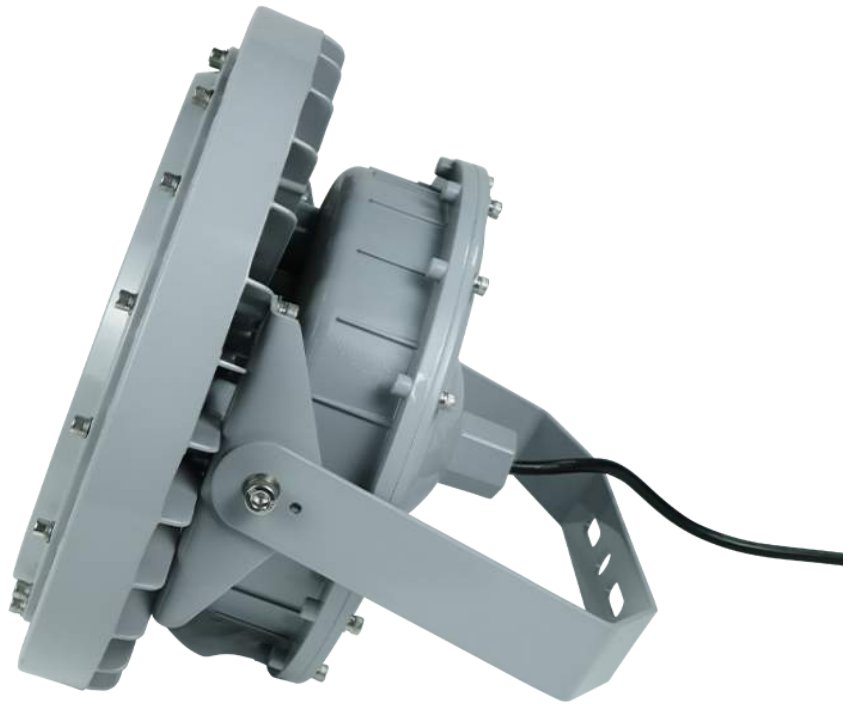
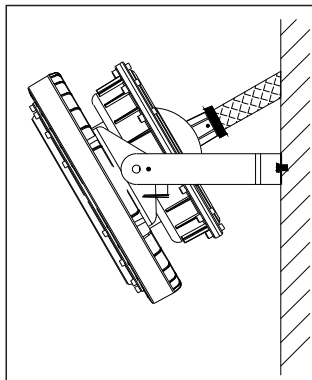
This structure can make the lighting distribution more concentrated.

Mounting

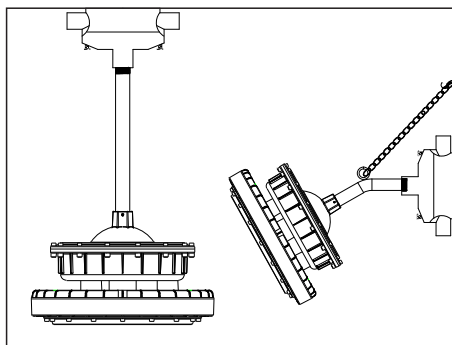
No.1: Ceiling Mounting



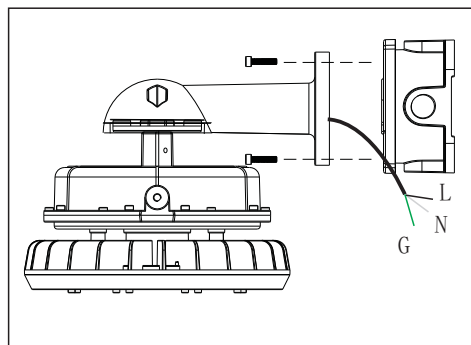
No.2: Wall Mounting



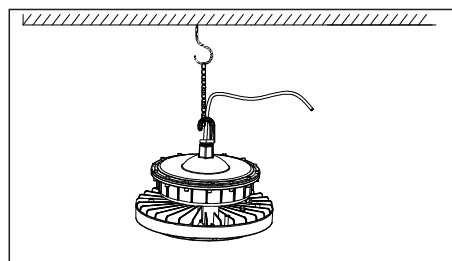
No.3: Pole Mounting



No.5: Wall Mounting to Junction Box



No.4: Hook Pendant Mounting



Accessories



● Model: Ex-Junction01
Name: Junction Box
Material: Aircraft Aluminum A383



● Model: EX-Hook
Name: Installation Hook
Material: Aircraft Aluminum A383



● Model: Ex-Conduit01
Name: Metal Conduit
Material: Stainless Steel and Aluminum



● Model: EX-WPipe
Name: Winding Swing Pipe
Material: Iron with Power Coating



● Model: EX-SPipe
Name: Winding Swing Pipe
Material: Iron with Power Coating



● Model: Ex-D01
Name: Pendant Direction Adapter
Material: Aircraft Aluminum A383



● Model: EX-MArm
Name: Surface Mounting Arm
Material: Aircraft Aluminum A383



● Model: EX-25PSupport
Name: 25 Degree Pole Support
Material: Aircraft Aluminum A383



● Model: EX-90PSupport
Name: 90 Degree Pole Support
Material: Aircraft Aluminum A383



● Model: Ex-90JSupport
Name: 90° Arm to Junction box
Material: Aircraft Aluminum A383



● Model: Ex-25JSupport
Name: 25° Arm to Junction box
Material: Aircraft Aluminum A383



● Model: Ex-DArm
Name: Direct Mounting Arm
Material: Aircraft Aluminum A383



● Model: Ex-ShadeB/B2/B3
Name: Lamp Shade
Material: Aluminum A6061



● Model: Ex-CshadeB/B2/B3
Name: Cut off lamp shade
Material: Aluminum A6061



● Model: Ex-Chain
Name: Pendant Chain
Material: Stainless Steel S30400





Explosion Proof Light D Series



Industrial Field & Hazardous Locations

Applications

Oil and Gas industry

- All petroleum production and refining
- Petroleum loading and transportation
- Petroleum storage and retail
- LNG industry

- All mining operations and service

Chemical industry

- All types of paint facilities
- Chemical production and storage

Ocean, marine and aerospace field

- Ocean platform operation facilities and structure
- Aerospace clean room and production
- Ocean vessel operations

Metal treatment

- Steel and aluminum factories
- Pumping stations in any environment
- Metal smelting, foundry and fabrication

Food and alcohol industry

- Flour and fine particle production and storage
- Food and distilling production
- Alcohol industry

Other high humidity, high dust, high temperature, vapor locations



Explosion Protection

Marking UL844^(North American)
 Class I, Div. 1, Groups C, D
 Class I, Div. 2, Groups A,B,C,D
 Class II, Div. 1, Groups E,F,G
 Class II, Div. 2, Groups F,G
 Class III

Marine Marking
 UL 1598A
 ABS

Other Rating
 IP 66
 IK 10



Materials

- Housing: Aluminum
- Lens: Tempered glass
- Hardware: stainless steel
- Mounting Bracket: stainless steel



Specification

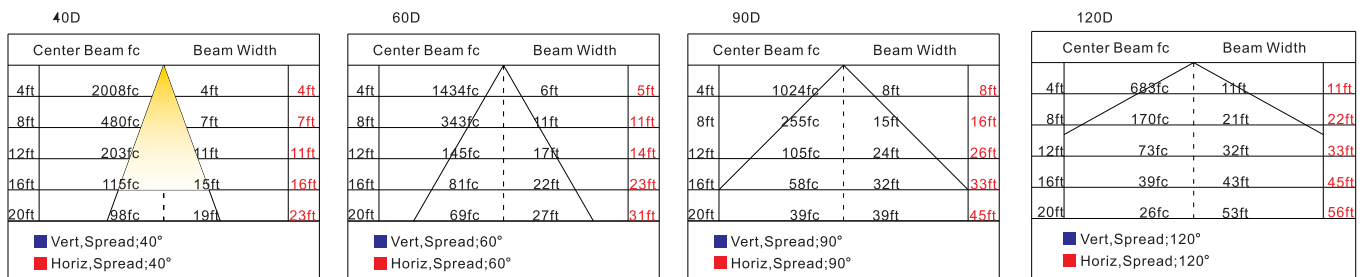
Model	Wattage	Color Temperature	Voltage	Lumens	Warranty	CRI	Emergency Time
ECO-EX-20W D2YZDA	20W	2200K-7000K	AC100-277V (by driver or by IC) Or AC200-488V (<65W) Or DC12-48V	2800	10 Year or 50,000 hour - Non-Prorated Product Warranty	80	3 Hours
ECO-EX-40W D2YZDA	40W			5600			
ECO-EX-60W D2YZDA	60W			8400			
ECO-EX-80W D2YZDA	80W		11200				
ECO-EX-100W DYZDA	100W		14000				
ECO-EX-150W DYZDA	150W		21000				
ECO-EX-200W DYZDA	200W		28000				

"D,D2"=Product series; "Y"=D or N: Dimmable or non-dimmable; "Z"=CCT, from 2200-7000K; "D"=Beam angle, D40 for 40°, D60 for 60°, D90 for 90°, D120 for 120°; A for glass info.: blank for flat glass.

Packing Information

Model	Quantity/Ctn	Dimension(MM)	Net weight(KG)	Gross weight(KG)
D	1	502×376×350	17.9	19.5
D2	1	400×385×335	7	9.5

Light Distribution



Features

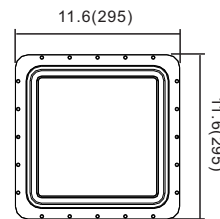
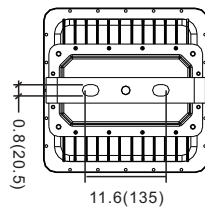
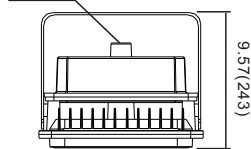
- Working Temperature: -40°C ~ +55°C.
- High quality SMT LED and Meanwell Driver.
- Light-weight design by aircraft aluminum.
- Heavy-duty and high impact resistance.
- Three connection cable entry points.
- Replaceable LED board and drivers.
- Integrated junction box for driver with emergency back up.
- Dimmable and battery back up function available.
- Marine rating powder coated appearance treatment.
- 10 Year or 50,000 hour - Non-Prorated Product Warranty
- Emergency Battery back up to three hours.
- Various installation ways for different applications.
- Glass lens or Glass with polycarbonate lens to make bigger beam angle.



Dimension Unit: mm or inch

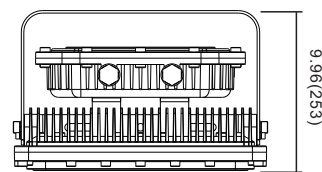
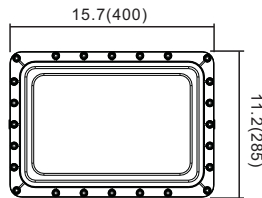
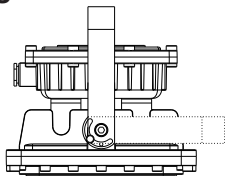
D2 Series

NPT3/4 or M25



This structure type with bracket, flat glass and optics lens to generate 40°, 60°, 90° and 120° light distribution.

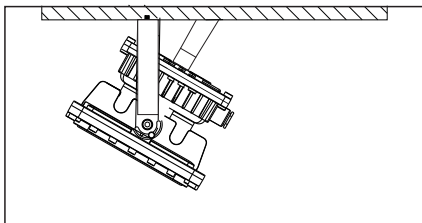
D Series



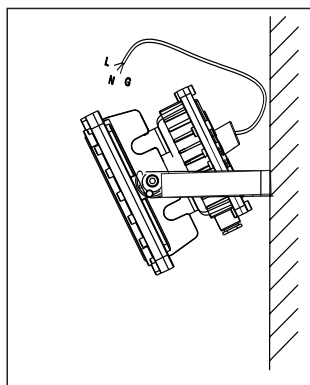
This structure type with bracket, flat glass and optics lens to generate 40°, 60°, 90° and 120° light distribution.

Mounting

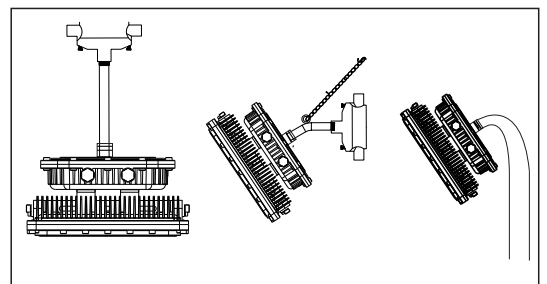
No.1: Ceiling Mounting

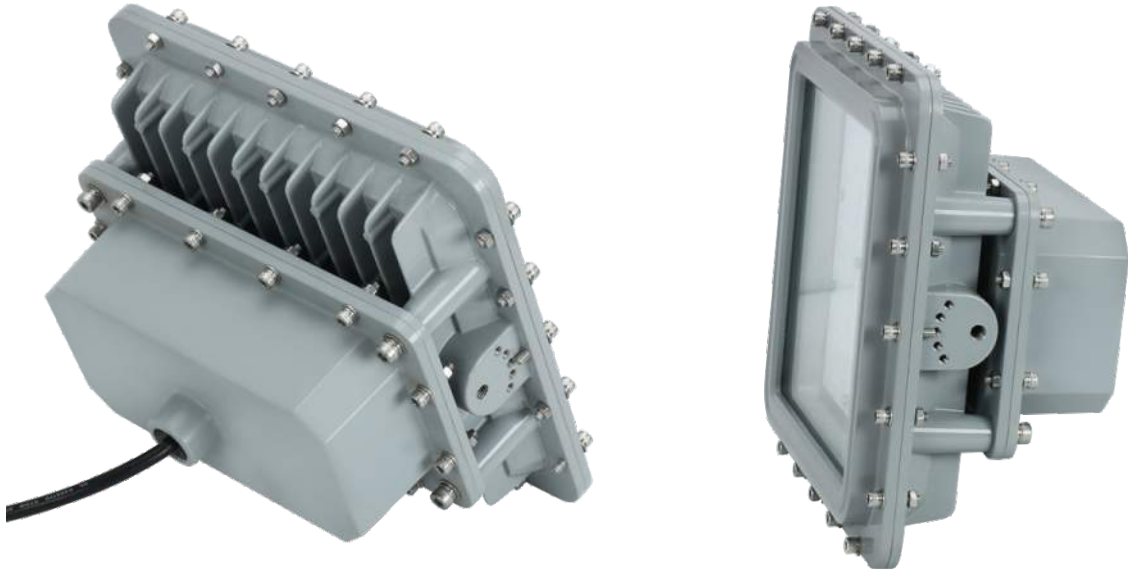


No.2: Wall Mounting



No.3: Pole Mounting





Accessories

Junction Box



Bracket



Straight Pipe



Chain



Metal Conduit



Bended Pipe





Explosion Proof Light E Series



Industrial Field & Hazardous Locations

Applications

Oil and Gas industry

- All petroleum production and refining
- Petroleum loading and transportation
- Petroleum storage and retail
- LNG industry

- All mining operations and service

Chemical industry

- All types of paint facilities
- Chemical production and storage

Ocean, marine and aerospace field

- Ocean platform operation facilities and structure
- Aerospace clean room and production
- Ocean vessel operations

Metal treatment

- Steel and aluminum factories
- Pumping stations in any environment
- Metal smelting, foundry and fabrication

Food and alcohol industry

- Flour and fine particle production and storage
- Food and distilling production
- Alcohol industry

Other high humidity, high dust, high temperature, vapor locations



Explosion Protection

Marking UI844 (North American)
 Class I, Division 1, Groups C, D
 Class I, Division 2, Groups A, B, C, D
 Class II, Division 1, Groups E, F, G
 Class II, Division 2, Groups F, G
 Class III

Marking Marine
 UL 1598A
 ABS

Other Rating
 IP 66
 Ik10



Materials

- Housing: Die-casting Aluminum
- Lens: Tempered glass
- Hardware: stainless steel
- Mounting Bracket: stainless steel



Specification

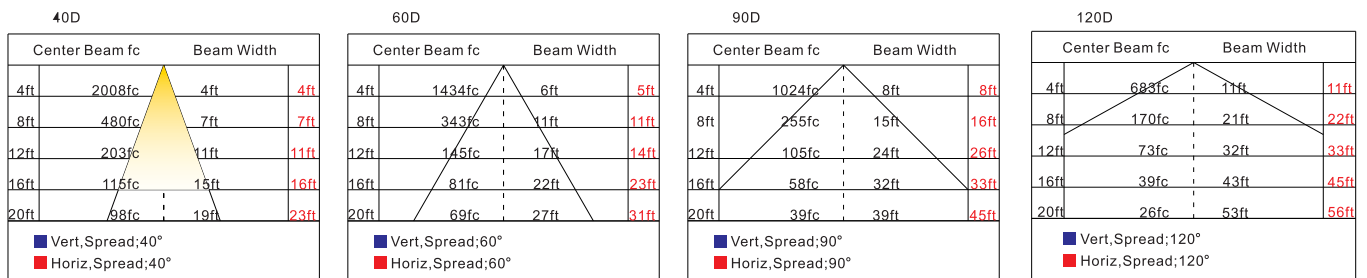
Model	Wattage	Color Temperature	Voltage	Lumens	Warranty	CRI	Emergency Time
ECO-EX-20W EYZDA	20W	2200K-7000K	AC100-277V Or AC200-488V	2800	10 Year or 50,000 hour - Non-Prorated Product Warranty	80	3 Hours
ECO-EX-40W EYZDA	40W			5600			
ECO-EX-60W EYZDA	60W			8400			
ECO-EX-80W EYZDA	80W		11200				
ECO-EX-100W EYZDA	100W		14000				
ECO-EX-150W EYZDA	150W		21000				

"E" = Product series. "Y" = D or N: Dimmable or non-dimmable. "Z" = CCT, from 2200-7000K.
 "D" = Beam angle, D40 for 40°, D60 for 60°, D90 for 90°, D120 for 120°. A for glass info., blank for flat glass.

Packing Information

Model	Quantity/Ctn	Dimension(MM)	Net weight(KG)	Gross weight(KG)
E(Flat glass)	1	480×505×455	15.2	17
E(Spherical glass)	1	660×505×455	19.5	22.5

Light Distribution

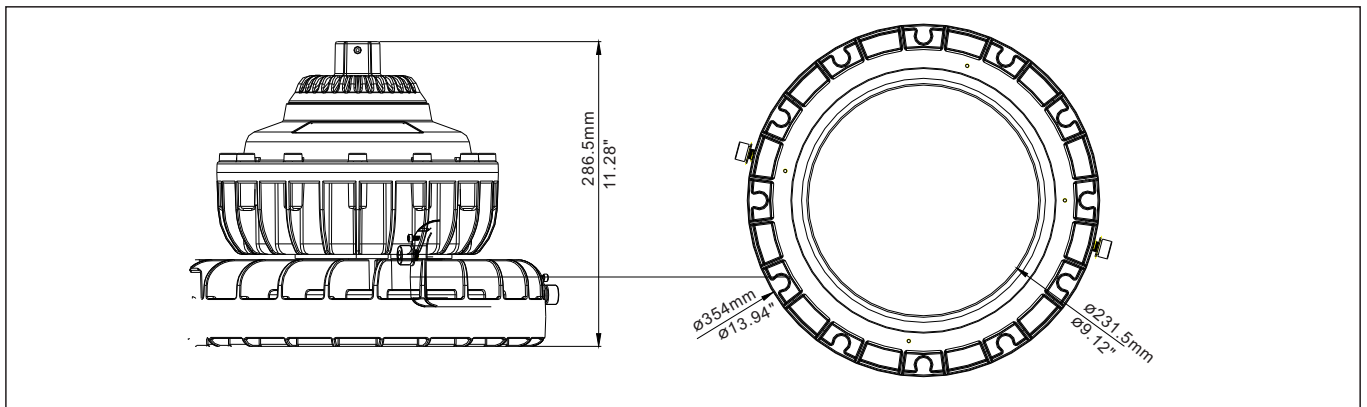


Features

- Working Temperature: -40°C ~ +65°C.
- High quality SMT LED and Meanwell Driver.
- Light-weight design by aircraft aluminum.
- Heavy-duty and high impact resistance.
- Three connection cable entry points.
- Replaceable LED board and drivers.
- Integrated junction box for driver with emergency back up.
- Dimmable and battery back up function available.
- Marine rating powder coated appearance treatment.
- 10 Year or 50,000 hour - Non-Prorated Product Warranty
- Emergency Battery back up to three hours.
- Various installation ways for different applications.
- Glass lens or Glass with polycarbonate lens to make bigger beam angle.

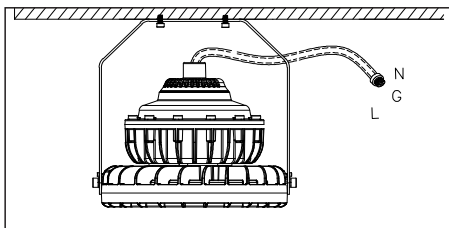


Dimension Unit: mm or inch

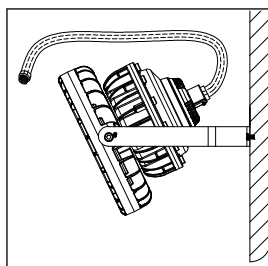


Mounting

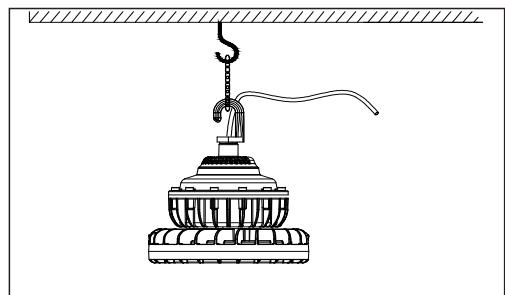
No.1: Ceiling Mounting



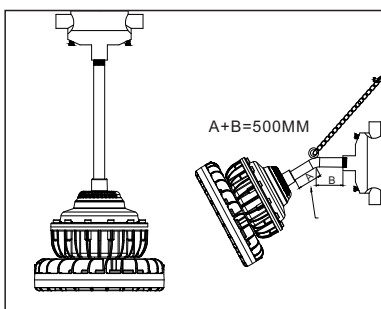
No.2: Wall Mounting



No.4: Hook Pendant Mounting



No.3: Pole Mounting



Accessories

Junction Box



Bracket



Straight Pipe



Chain



Metal Conduit



Bended Pipe



Hook





Explosion Proof Light H Series



Industrial Field & Hazardous Locations

Applications

Oil and Gas industry

- All petroleum production and refining
- Petroleum loading and transportation
- Petroleum storage and retail
- LNG industry

- All mining operations and service

Chemical industry

- All types of paint facilities
- Chemical production and storage

Ocean, marine and aerospace field

- Ocean platform operation facilities and structure
- Aerospace clean room and production
- Ocean vessel operations

Metal treatment

- Steel and aluminum factories
- Pumping stations in any environment
- Metal smelting, foundry and fabrication

Food and alcohol industry

- Flour and fine particle production and storage
- Food and distilling production
- Alcohol industry

Other high humidity, high dust, high temperature, vapor locations



Explosion Protection

Marking Atex

II3 G Ex ec IIC T5/T6 Gc

II2 D Ex tb IIIC T80/100°C Db Ip66

Marking IECEX

Ex ec IIC T5/T6 Gc

Ex tb IIIC T80/100°C Db IP66

Marking UI844(North American)

Class I, Division 2, Groups A, B, C, D

Class II, Division 1, Groups E, F, G

Class II, Division 2, Groups F, G

Class III

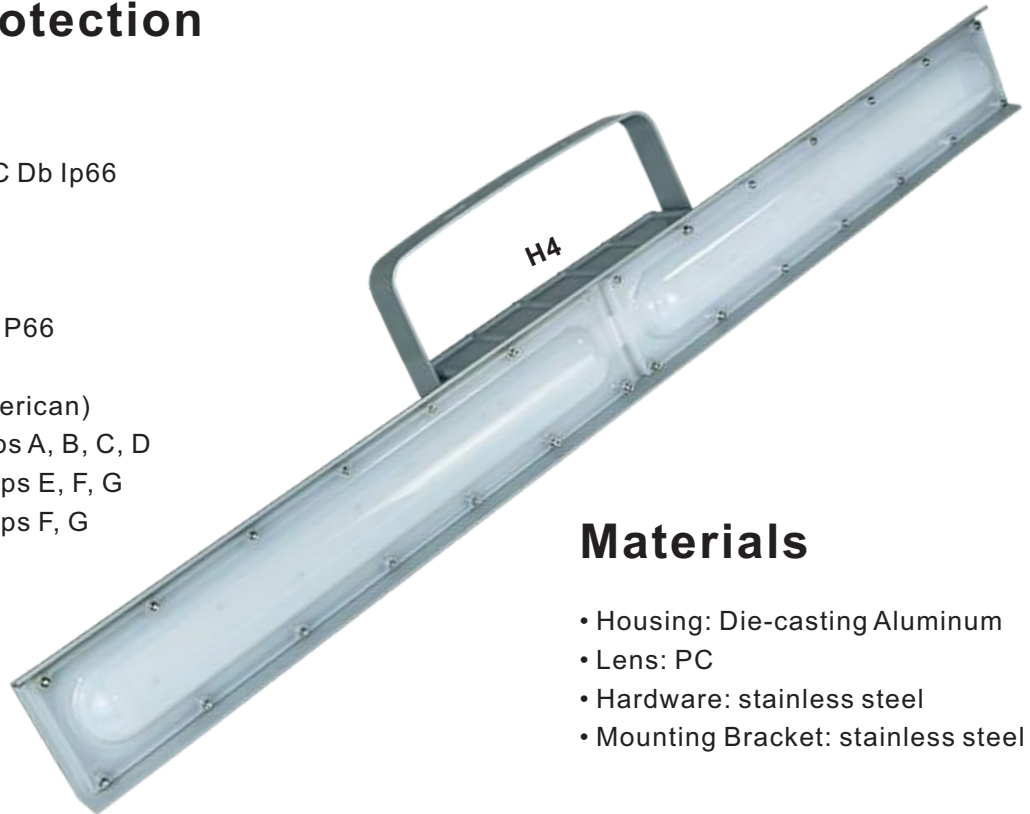
Marking Marine

UL 1598A

ABS

Other Rating

IP 66



Materials

- Housing: Die-casting Aluminum
- Lens: PC
- Hardware: stainless steel
- Mounting Bracket: stainless steel



Specification

Product Number	Wattage	Color Temperature	Voltage	Lumens	Warranty	CRI
ECO-EX-20W H2YZDA	20	2200K-7000K	AC100-277V	2800	10 Year or 50,000 hour - Non-Prorated Product Warranty	80
ECO-EX-40W H2YZDA	40		IC 100-277V	5600		
ECO-EX-40W H4YZDA	40		AC 200-488V	5600		
ECO-EX-60W H4YZDA	60		DC 12-48V	8400		
ECO-EX-80W H4YZDA	80			11200		

"H2, H4"=Product code "Y"=D or N: Dimmable or Non-dimmable "Z"=CCT, from 2200~7000K "D"=Beam angle, D120 for 120°. A for cover info. blank for flat cover, C spherical cover.

Packing Information

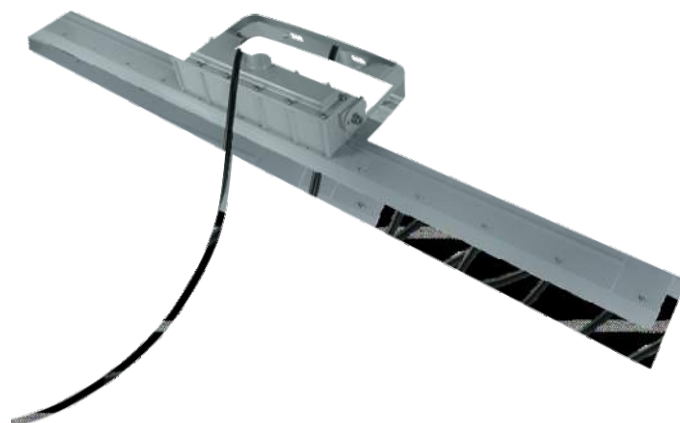
Model	Quantity/Ctn	Length(cm)	Width (cm)	Height(cm)	Net weight(kg)	Gross weight (kg)
H2	2	69.1	41.3	29	4	9
H4	2	130	40	29.5	5.5	14.5

Light Distribution

120D

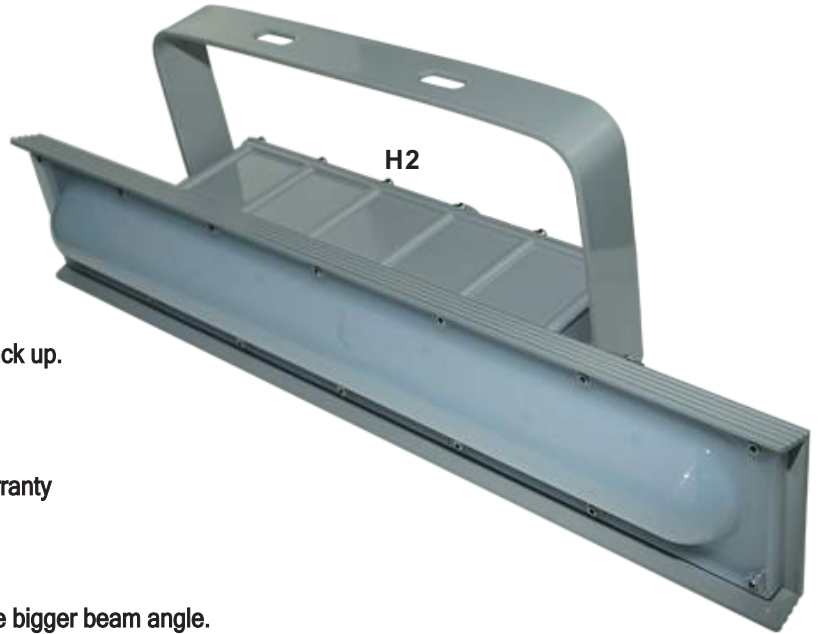
Center Beam fc	Beam Width	
10ft	25fc	34ft
20ft	6fc	67ft
30ft	3fc	100ft
40ft	1fc	134ft
50ft	0.6fc	168ft

■ Vert, Spread; 120°
■ Horiz, Spread; 120°



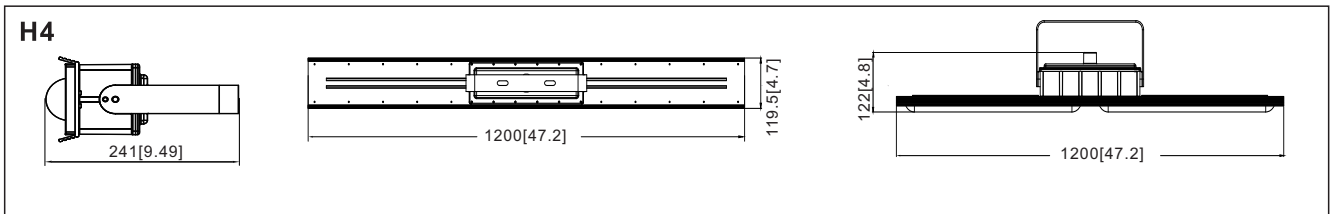
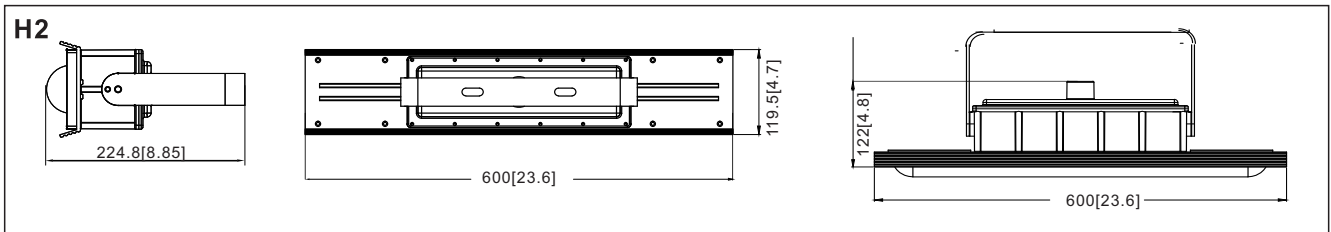
Features

- Working Temperature: -40°C ~ +60°C.
- High quality SMT LED and Meanwell Driver.
- Light-weight design by aircraft aluminum.
- Heavy-duty and high impact resistance.
- Three connection cable entry points.
- Replaceable LED board and drivers.
- Integrated junction box for driver with emergency back up.
- Dimmable and battery back up function available.
- Marine rating powder coated appearance treatment.
- 10 Year or 50,000 hour - Non-Prorated Product Warranty
- Emergency Battery back up to three hours.
- Various installation ways for different applications.
- Glass lens or Glass with polycarbonate lens to make bigger beam angle.



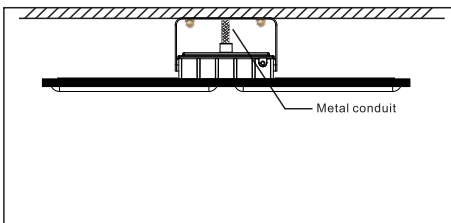
Dimension

Unit: mm or inch

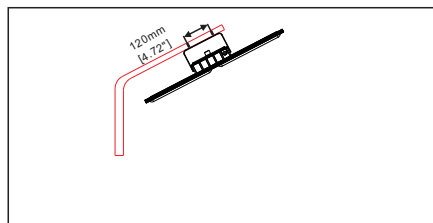


Mounting

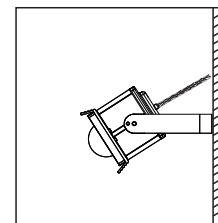
No.1 Ceiling Mounting



No.2 Pole Bracket Mounting



No.3 Wall Mounting



Accessories

Bracket



Metal Conduit



Bended Pipe

